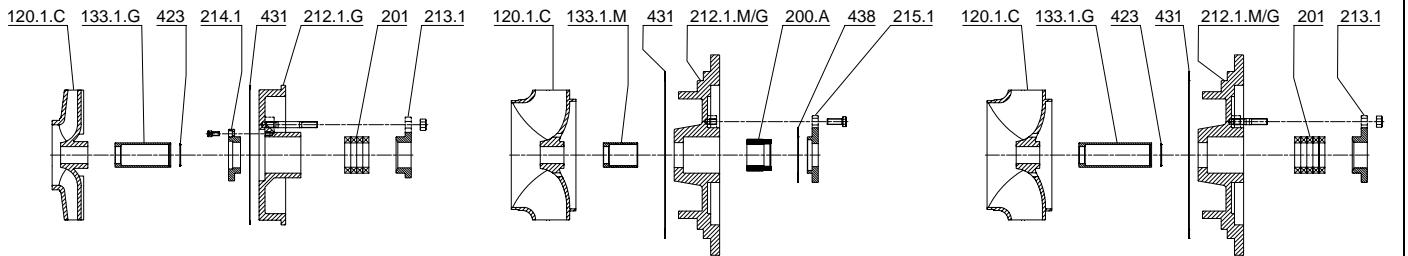
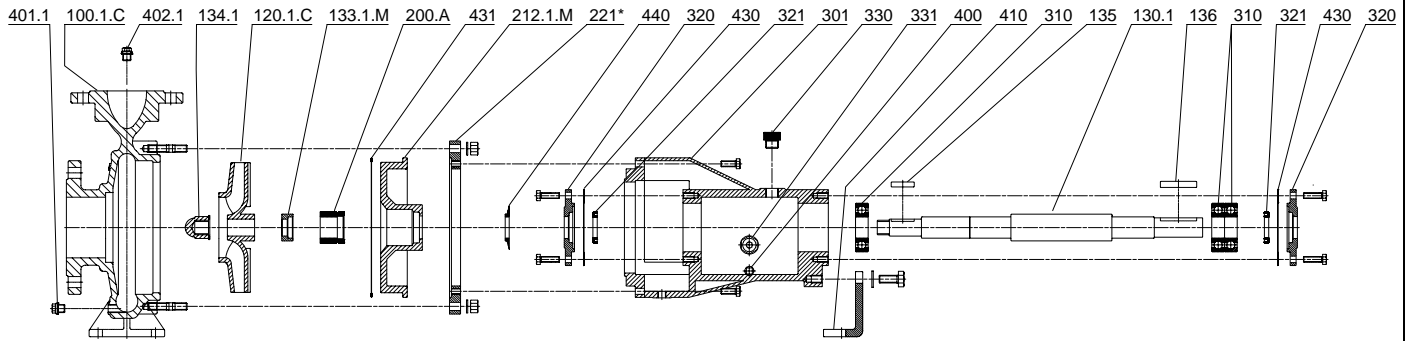


Parts List

D&E-T002-PL-0

Type KS-SR	Model ALL	Parts List No. PL0001	Revision No. 2
----------------------	---------------------	---------------------------------	--------------------------



Gland Packing

Models 125-320, 125-400 and models with discharge diameter 150mm and 200mm (Mechanical Sealing)

Models 125-320, 125-400 and models with discharge diameter 150mm and 200mm (Gland Packing)

Part No.	Description	Standard Material
100.1.C	Casing for Closed Impeller	Stainless Steel 304
120.1.C	Closed Impeller	Stainless Steel 304
130.1	Shaft	Stainless Steel 304
133.1.G	Shaft Sleeve for Gland Packing	Stainless Steel 304
133.1.M	Shaft Sleeve for Mechanical Sealing	Stainless Steel 304
134.1	Impeller Nut	Stainless Steel 304
135	Key for Impeller	Stainless Steel 304
136	Shaft End Key	Stainless Steel 304
200.A	Mechanical Seal	Carbon vs. Ceramic
201	Packing	Cotton
212.1.G	Stuffing Box Cover for Gland Packing	Stainless Steel 304
212.1.M	Stuffing Box Cover for Mechanical Sealing	Stainless Steel 304
212.1.M/G	Stuffing Box Cover for Mechanical Sealing and Gland Packing	Stainless Steel 304
213.1	Gland	Stainless Steel 304
214.1	End Ring	Stainless Steel 304
215.1	Seal Cover	Stainless Steel 304
221*	Adaptor Extension Ring	Cast Iron

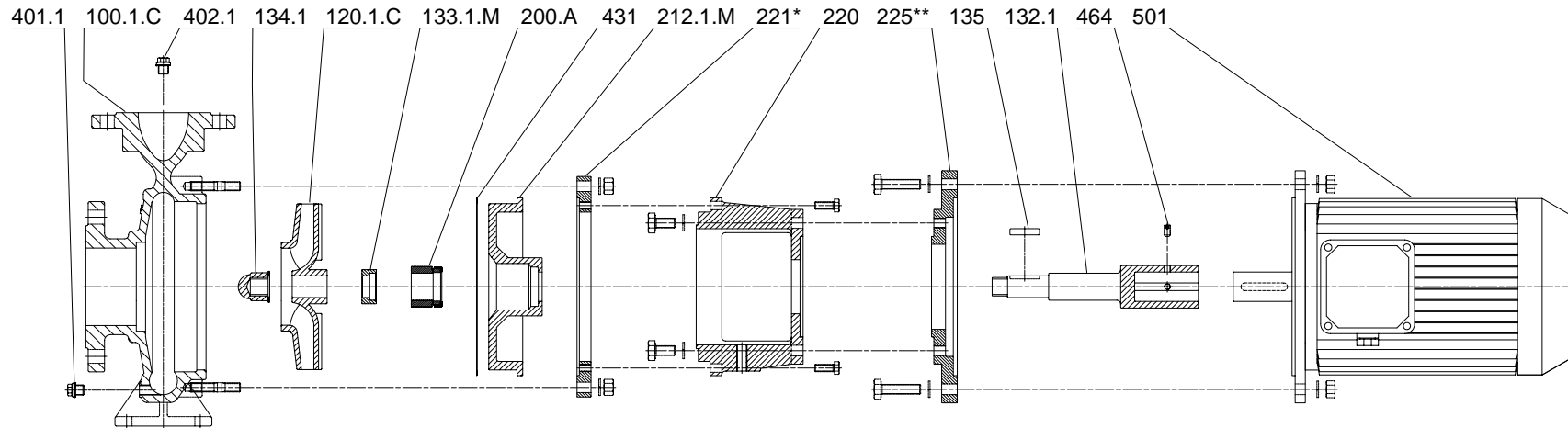
Part No.	Description	Standard Material
301	Bearing Bracket	Cast Iron
310	Bearing	Steel
320	Bearing Cover	Cast Iron
321	Oil Seal	Synthetic Rubber
330	Oil Cover	Aluminium Alloy
331	Oil Gauge	Plastic Threaded
400	Bearing Bracket Drain Plug	Galvanise Steel
401.1	Casing Drain Plug	Stainless Steel 304
402.1	Venting Plug	Stainless Steel 304
410	Support Foot	Cast Iron
423	Shaft Sleeve "O" Ring	Synthetic Rubber
430	Bearing Cover Gasket	Oil Proof Paper
431	Stuffing Box Cover Gasket	Asbestos Sheet
438	Seal Cover Gasket	Asbestos Sheet
440	Deflector	Synthetic Rubber

* For all models except 32-130, 40-130, 50-130, 65-130, 65-160, 80-160, 100-260, 125-260, 125-320, 125-400 and models with discharge diameter 150mm and 200mm

Parts List

D&E-T002-PL-0

Type KS-SRM	Model ALL	Parts List No. PL0002	Revision No. 2
-----------------------	---------------------	---------------------------------	--------------------------



Part No.	Description	Standard Material
100.1.C	Casing for Closed Impeller	Stainless Steel 304
120.1.C	Closed Impeller	Stainless Steel 304
132.1	Motor Extension Shaft	Stainless Steel 304
133.1.M	Shaft Sleeve for Mechanical Sealing	Stainless Steel 304
134.1	Impeller Nut	Stainless Steel 304
135	Key for Impeller	Stainless Steel 304
200.A	Mechanical Seal	Carbon vs. Ceramic
212.1.M	Stuffing Box Cover for Mechanical Sealing	Stainless Steel 304
220	Frame Adaptor	Cast Iron
221*	Adaptor Extension Ring	Cast Iron

Part No.	Description	Standard Material
225**	Motor Adaptor Extension Ring	Cast Iron
401.1	Casing Drain Plug	Stainless Steel 304
402.1	Venting Plug	Stainless Steel 304
431	Stuffing Box Cover Gasket	Asbestos Sheet
464	Jam Nut	Stainless Steel 304
501	Flange-Mounted Motor	--

* For all applicable models except 32-130, 40-130, 50-130, 65-130, 32-160, 40-160, 50-160, 65-160 and 80-160

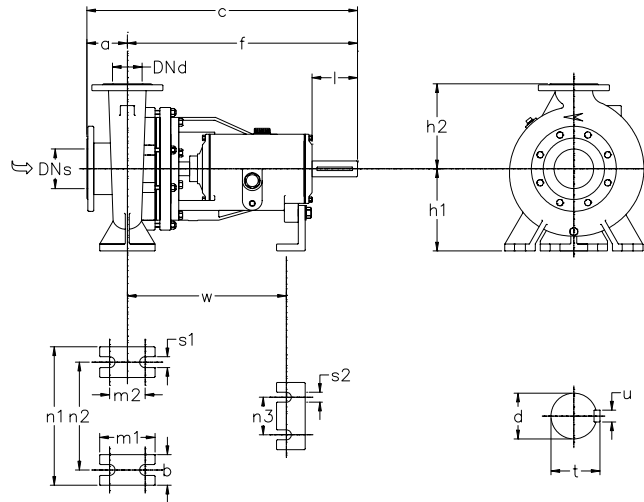
** For all applicable motor sizes except 80M, 90S and 90L

General Dimensions

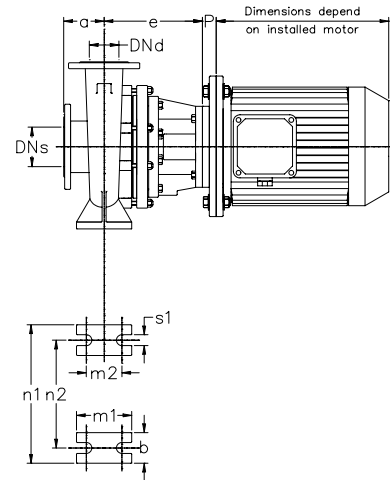
D&E-T008-GD-0

Type KS-SR & KS-SRM	Model ALL	General Dimensions No. GD0002	Revision No. 2
-----------------------------------	---------------------	---	--------------------------

SR (Bareshaft)



SRM (Close-Coupled)



PUMP MODEL	SR & SRM (where applicable)																			SRM															
	Flanges		Pump Dimensions					Foot Dimensions						Shaft End				Close-Coupled Dimensions																	
	DNd	DNs	a	f	c	h1	h2	b	m1	m2	n1	n2	n3	s1	s2	w	d	l	t	u	e	P													
32-130	32	50	80	385	465	112	140	50	100	70	190	140	110	14	14	285	24	50	27.9	8	151	Motor Sizes 80M, 90S, 90L P = 0													
32-160						132	160				160	180									240		190	193											
32-200						160	180				370	32									80		35.3	10	198										
32-260	100	500	600	180	225	65	125	95	320	250	370	32	80	35.3	10	198	Motor Sizes 100L, 112M P = 20																		
40-130	40	65	80	385	465	112	140	50	100	70	210	160	110	14	14	285	24	50	27.9	8	151														
40-160						132	160				240	190									193														
40-200						160	180				265	212									198														
40-260						100	600				180	225									320		250	370	32	80	35.3	10	198						
40-320						125	500				625	200									250		345	280	370	32	80	35.3	10	198					
50-130	50	80	100	385	485	132	160	50	100	70	240	190	110	14	14	285	24	50	27.9	8	151														
50-160						180	200				265	212									193														
50-200						180	225				320	250									198														
50-260						125	500				625	225									280		65	125	95	320	250	345	280	370	32	80	35.3	10	198
50-320						125	500				625	225									280		65	125	95	320	250	345	280	370	32	80	35.3	10	198
65-130	65	100	100	385	485	160	180	65	125	95	280	212	110	14	14	285	24	50	27.9	8	151														
65-160				600	200	320	250				198																								
65-200				500	600	180	225				360	280									400	315	370	32	80	35.3	10	198							
65-260				625	200	250	360				280	400									315	370	32	80	35.3	10	198								
65-320 ¹⁾				530	655	225	280				400	315									42	95	45.1	12	203										
80-160	80	125	125	500	625	180	225	65	125	95	320	250	110	14	14	370	32	80	35.3	10	198														
80-200						250	280				345	280									42	95	45.1	12	203										
80-260 ²⁾						200	280				345	280									42	95	45.1	12	203										
80-320 ¹⁾						250	315				345	280									42	95	45.1	12	203										
80-400 ¹⁾						530	655				280	355									435	355	42	95	45.1	12	203								
100-160 ⁵⁾	100	125	125	500	625	200	280	80	160	120	340	260	110	18	14	370	32	80	35.3	10	198														
100-200						225	250				360	280									42	95	45.1	12	203										
100-260 ¹⁾						250	315				400	315									42	95	45.1	12	203										
100-320 ¹⁾						140	530				670	280									355	100	200	150	500	400	42	95	45.1	12	203				
100-400 ¹⁾						280	355				400	315									42	95	45.1	12	203										
125-200 ⁵⁾	125	150	140	500	640	250	315	80	160	120	400	315	110	18	14	370	32	80	35.3	10	198														
125-260 ¹⁾						250	315				400	315									42	95	45.1	12	203										
125-320 ¹⁾						280	355				400	315									42	95	45.1	12	203										
125-400 ¹⁾						530	670				280	355									400	315	42	95	45.1	12	203								
150-200 ⁵⁾						500	660				280	375									100	200	150	550	450	110	23	14	370	32	80	35.3	10	198	
150-260 ³⁾	530	690	280	400	100	200	150	550	450	110	23	14	370	42	95	45.1	12	203																	
150-320 ³⁾	670	830	315	450	100	200	150	550	450	140	23	18	500	48	110	51.5	14	198																	
150-400	670	830	315	450	100	200	150	550	450	140	23	18	500	48	110	51.5	14	198																	
200-400 ⁵⁾	200	200	180	630	810	355	450	120	250	180	620	500	180	23	18	390	55	100	60	15.9	--														
200-500 ⁵⁾						400	500				620	500																							

¹⁾ In these models the dimension "l" is 15mm shorter than the specified in ISO 2858. The dimension "f" is according to ISO 2858

²⁾ In this model the dimension "h1" is 25mm smaller than the specified in ISO 2858

³⁾ In this model the dimension "h1" is 35mm smaller than the specified in ISO 2858

⁴⁾ In this model the dimensions "n1" and "n2" are 50mm bigger than the specified in ISO 2858

⁵⁾ These models are additional sizes and not specified in ISO 2858

Flange dimensions according to ISO 7005-1:1992 – PN16

